

1 Hr Fire-rated Resistant Composite Door



A Fire-Rated Resistant Composite Door is a type of door designed to withstand fire for a specific period to help contain the spread of flames and smoke. These doors are commonly used in commercial buildings, homes, hotels, and industrial spaces where fire safety is a priority.

Contact Us



Sunstar Door



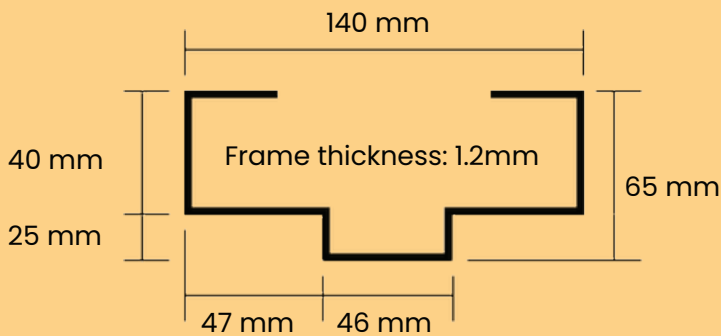
+6010-280 8080

Quality Fire-rated Door

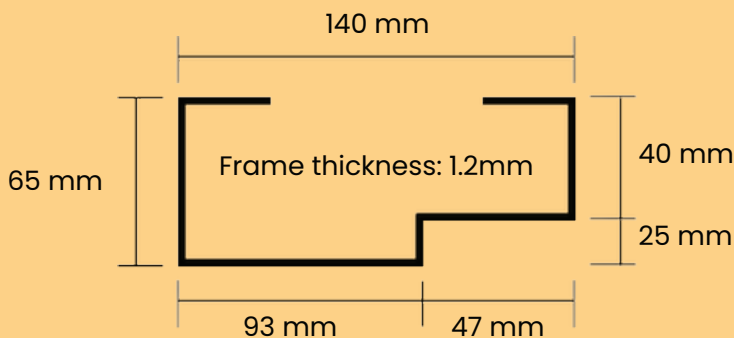
- ✱ 1 Hour Rated Fire Resistance
- ✱ BS EN 12209:2003 Standard and ANSI / BHMA A 156.13:2003 Compliance Ironmongeries
- ✱ Tested And In Compliance To Ms 1073: Part 3: 1996 (AMD. 1: 2003)
- ✱ Electro Galvanised Metal Door Frame
- ✱ Spot Welded Type Hinges

Typical Door Jamb Section

Double Rebated



Single Rebated



Door Frame Size

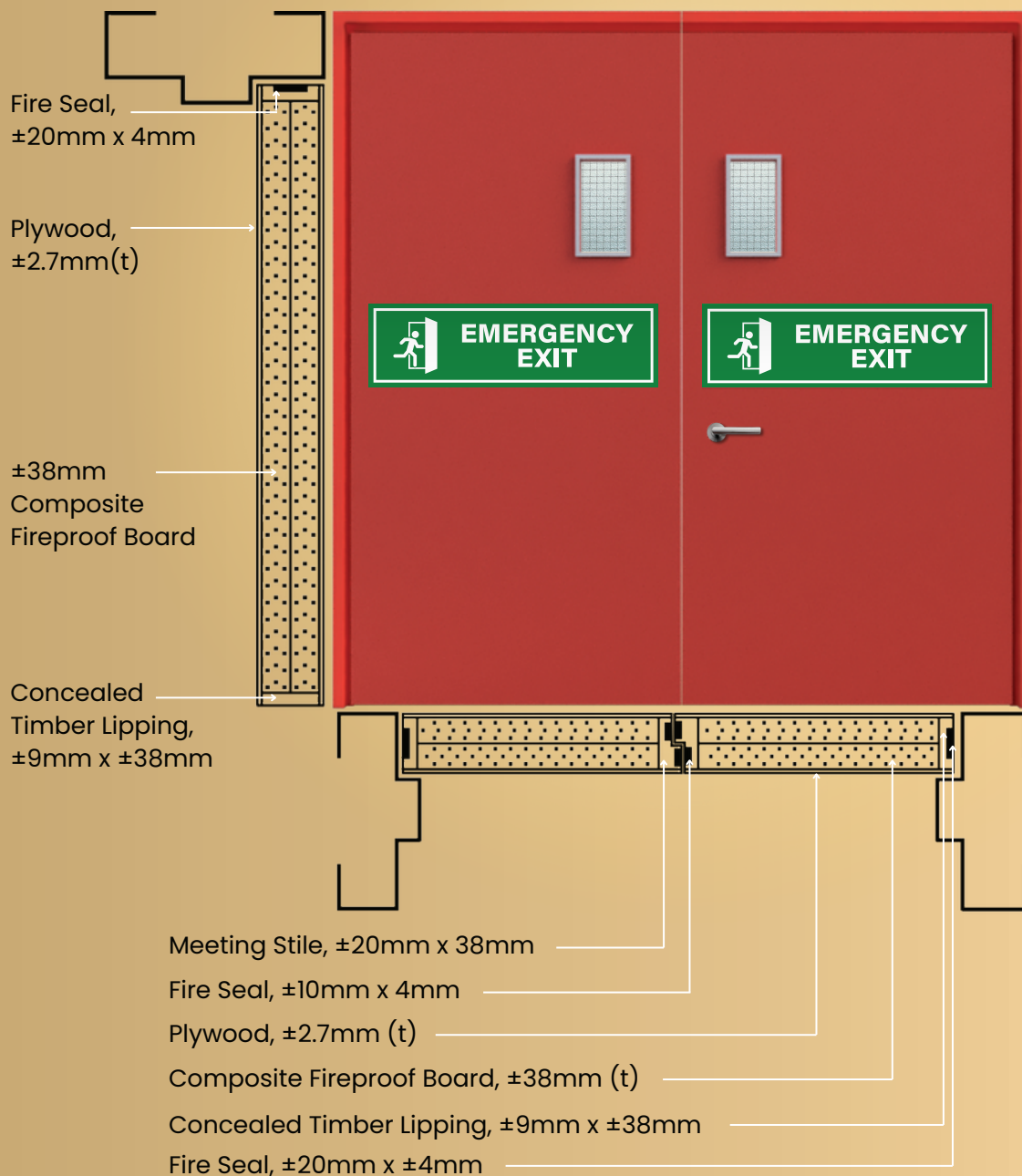
Max. Single Leaf Frame - 1200mm (W) x 2400mm (H)

Max. Double Leaf Frame - 2400mm (W) x 2400mm (H)

Double Leaf One Hour Fire Rated Door With Electro Galvanized Metal Door Frame

Maximum Size 2400mm x 2400mm

Model: 1hr/dl/mf



Door Selector



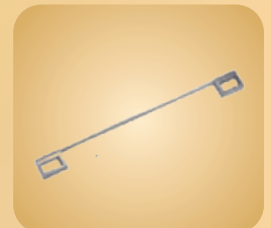
Surface Mounted Door Closer



Mortise Lever Set



Auto Bolt



Mortise Lock Rebated Part



Stainless Steel Ball Bearing Hinges

Fire Resistant Door Accessories

Ironmongeries Set

Stainless Steel SUS 304 Lever Handle

Model: G 101	Model: G 102	Model: G 103	Model: G 105
			
Model: G 106	Model: G 111	Model: G 1003	Model: G 1007
			




CERTIFIED TO: ANS/ENHMA A 156.13.2005

Door Closer 800 Series

Model: G 801	Model: G 803	Model: G 805BC	Model: G 806BC	Power Size Available: <ul style="list-style-type: none"> • EN 3 - 60kg • EN 4 - 80kg • EN 5 - 100KG • EN 6 - 120KG
				



CERTIFIED TO: BS EN 1154:1997
CERTIFICATION NO: PC 001790

Profile Cylinder

Model:
GC701S
Entrance



Available Function:

- Cylinder with Thumb Turn
- Double Keyed Cylinder
- Coin Slot with Thumb Turn
- Half Cylinder with Thumb Turn
- Half Cylinder with Key







CERTIFIED TO: ANS/ENHMA A 156.13.2005

Hinges

GH5353BB

Stainless Steel Hinges with Bearing
127mm x 90mm x 2.5mm

BS EN Rating

4	7	6	0	1	4	0	13
---	---	---	---	---	---	---	----



