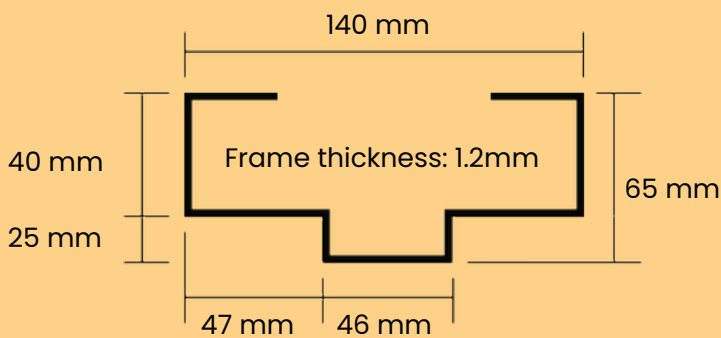


QUALITY FIRE-RATED DOOR

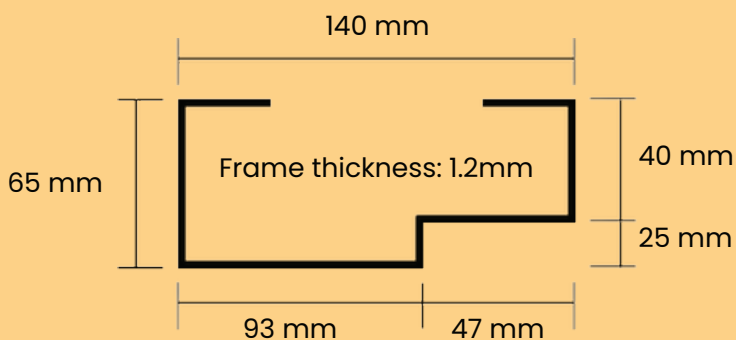
- * 1 HOUR RATED FIRE RESISTENCE
- * BS EN 12209:2003 STANDARD AND ANSI/BHMA A 156.13:2003 COMPLIANCE IRONMONGERIES
- * TESTED AND IN COMPLIANCE TO MS 1073: PART 3: 1996 (AMD. 1: 2003)
- * ELECTRO GALVANISED METAL DOOR FRAME
- * SPOT WELDED TYPE HINGES

TYPICAL DOOR JAMB SECTION

Double Rebated



Single Rebated



Door Frame Size

Max. Single Leaf Frame - 1200mm (W) x 2400mm (H)

Max. Double Leaf Frame - 2400mm (W) x 2400mm (H)

DOUBLE LEAF ONE HOUR FIRE RATED DOOR WITH ELECTRO GALVANIZED METAL DOOR FRAME

Maximum Size 2400mm x 2400mm
Model: 1hr/dl/mf



Door Selector



Surface Mounted Door Closer
Compliance to EN1154.1997



Mortise Lever Set
Compliance to EN12209.2003



Auto Bolt



Mortise Lock Rebated Part



Stainless Steel Ball Bearing Hinges
Compliance to EN1935.2002

