

1 Hr Fire-rated Resistant Composite Door



A Fire-Rated Resistant Composite Door is a type of door designed to withstand fire for a specific period to help contain the spread of flames and smoke. These doors are commonly used in commercial buildings, homes, hotels, and industrial spaces where fire safety is a priority.

Contact Us



Sunstar Door



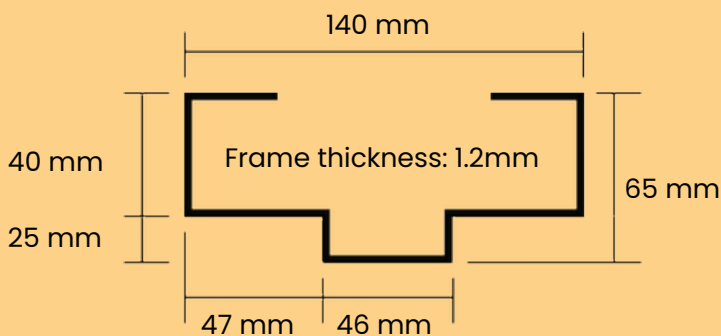
+6010-280 8080

Quality Fire-rated Door

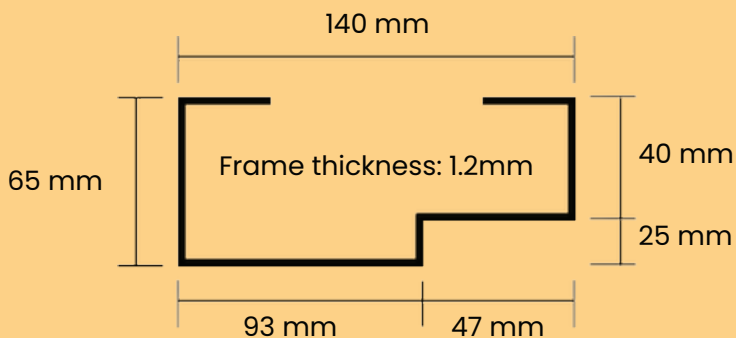
- ✱ 1 Hour Rated Fire Resistance
- ✱ BS EN 12209:2003 Standard and ANSI / BHMA A 156.13:2003 Compliance Ironmongeries
- ✱ Tested And In Compliance To Ms 1073: Part 3: 1996 (AMD. 1: 2003)
- ✱ Electro Galvanised Metal Door Frame
- ✱ Spot Welded Type Hinges

Typical Door Jamb Section

Double Rebated



Single Rebated



Door Frame Size

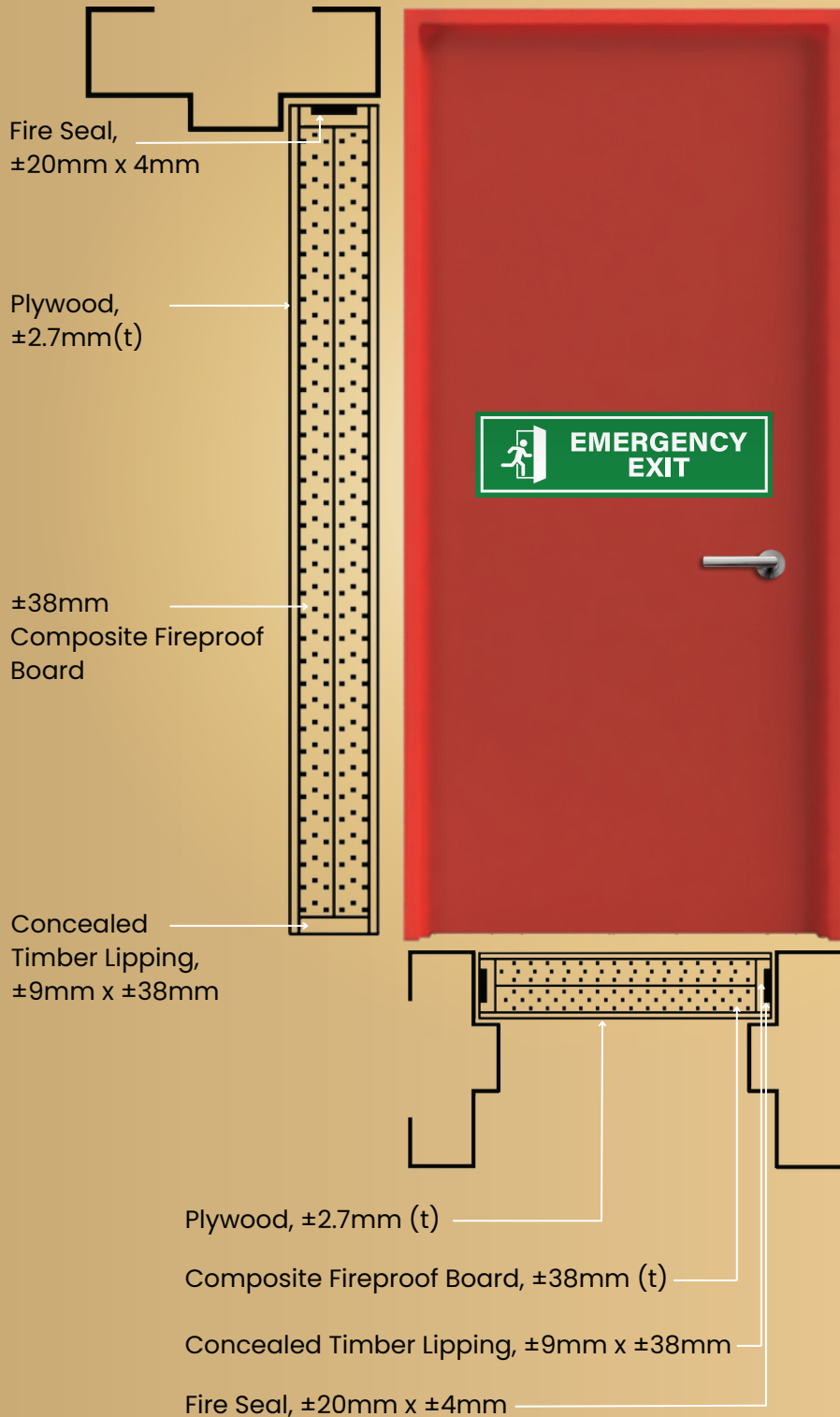
Max. Single Leaf Frame - 1200mm (W) x 2400mm (H)

Max. Double Leaf Frame - 2400mm (W) x 2400mm (H)

Single Leaf One Hour Fire Rated Door With Electro Galvanized Metal Door Frame

Maximum Size 1200mm x 2400mm

Model: 1hr/sl/mf



Surface Mounted Door Closer



Mortise Lever Set



Stainless Steel Ball Bearing Hinges

Fire Resistant Door Accessories

Ironmongeries Set

Stainless Steel SUS 304 Lever Handle

Model: G 101	Model: G 102	Model: G 103	Model: G 105
			
Model: G 106	Model: G 111	Model: G 1003	Model: G 1007
			



CERTIFIED TO: ANS/ENMA A 156.13.2005



Door Closer 800 Series

Model: G 801	Model: G 803	Model: G 805BC	Model: G 806BC	Power Size Available: <ul style="list-style-type: none"> • EN 3 - 60kg • EN 4 - 80kg • EN 5 - 100KG • EN 6 - 120KG
				



CERTIFIED TO: BS EN 1154:1997
CERTIFICATION NO: PC 001790

Profile Cylinder

Model:
GC701S
Entrance



Available Function:

- Cylinder with Thumb Turn
- Double Keyed Cylinder
- Coin Slot with Thumb Turn
- Half Cylinder with Thumb Turn
- Half Cylinder with Key




CERTIFIED TO: ANS/ENMA A 156.13.2005





Hinges

GH5353BB

Stainless Steel Hinges with Bearing
127mm x 90mm x 2.5mm

BS EN Rating

4	7	6	0	1	4	0	13
---	---	---	---	---	---	---	----



